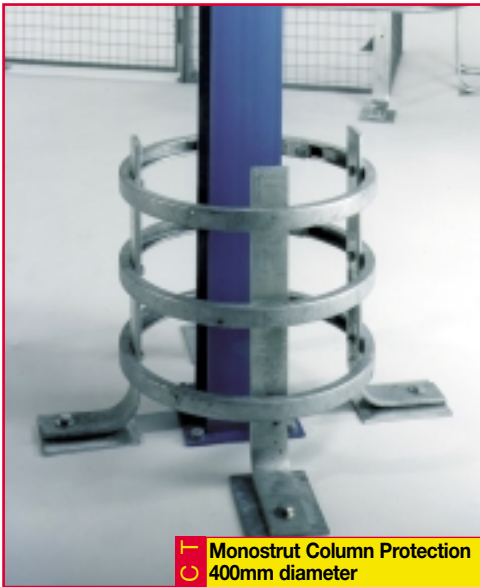


WAREHOUSE BARRIER PROTECTION



DIRECT Monostrut Column Protection
400mm diameter
ONLY
£POA
ORDER ▶ VMONOCOL1

Price includes all Fixings



DIRECT Warehouse Column Protection
500mm diameter
ONLY
£POA
ORDER ▶ VWARCOL1

Price includes all Fixings

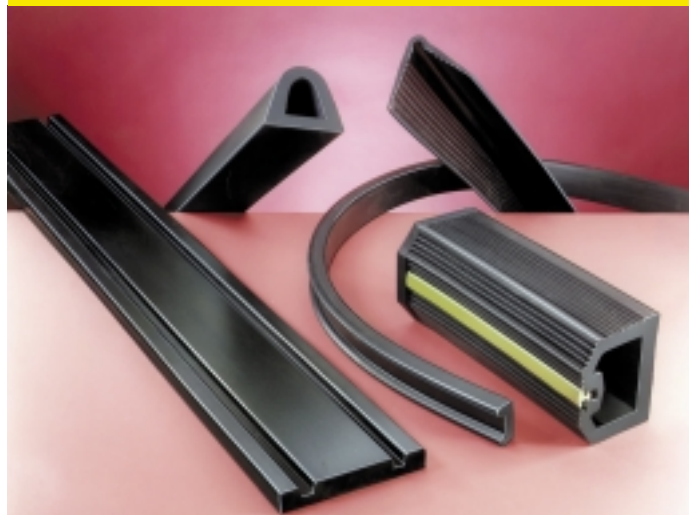
This highly effective barrier system provides excellent damage limitation to any racking system, column or wall. Components manufactured from high grade rubber or galvanised steel, they are equally suited to both internal and external applications.

The unique design features enable the barrier or wall protection to deflect and absorb the impact load, when struck by a vehicle or fork truck, returning to its original position once the offending vehicle is removed.

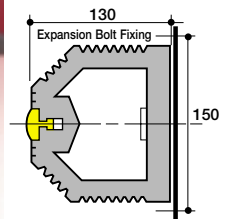
Design styles are available to suit both linear and column protection.



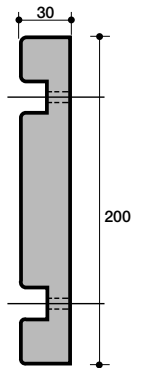
RUBBER BARRIER PROTECTION SYSTEMS



KERB STOPPER
Standard Length 2500mm
Material EPDM Rubber
Fixing Method
Fixing Kit (Internal or External)
@ 500mm Centres
Fixing Kit - Floor or Wall Mounted



WALL GUARD
Standard Length 3000mm
Material SBR Rubber
Fixing Method
'Hammerfix' (13 No.)
c/w Cup Washer
@ 500mm Centres



Designed to complement the spring steel systems, and where space is at a premium. Easy to fix, each Rubber Profile is designed to suit a particular application, from dock loading to simple wall corner protection.



5 Available Profiles

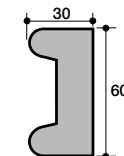
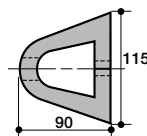


Simple and easy to Fix



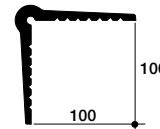
Weather and Abrasion Resist

'D' SECTION
Standard Length 3000mm
Material EPDM Rubber
Fixing Method
10mm dia Expanding
Anchor Bolts (8 No.)
@ 400mm Centres



DOUBLE 'D'
Standard Length 6m Coil
Material EPDM Rubber
Fixing Method
'Hammerfix' (or similar)
c/w Cup Washer
@ 400mm Centres

COLUMN CORNER GUARD
Standard Length 1220mm
Material SBR Rubber
Fixing Method
Adhesive c/w (6 No.) Screw,
Rawplug & Cup Washer



6mm dia hole - Staggered top & bottom

Order ▼	Description	Price £
VMONOCOL1	Monostrut Column Protection 400mm dia.	poa
VMONOCOL2	Monostrut Column Protection 600mm dia.	poa
VWARCOL1	Warehouse Column Protection 500mm dia.	poa
VWARCOL2	Warehouse Column Protection 750mm dia.	poa
VWARCOL3	Warehouse Column Protection 1000mm dia.	poa
VD1006-1	Column Corner Guard 1220mm	poa
VD1007	D Section - 3m	poa
VD1008	Double D Section - 6m Coil	poa
VD1009	Wall Guard Section - 3m	poa
VD1019	D End Stops	poa
VE2030	DD Fixings	poa
VE2030	Wall Guard Fixing	poa
VKERB1	Kerb Stopper - 2.5m	poa
VKERBFIX1	Kerb Fix Kit	poa
VE1006	Anchor Bolt Fixing - For Rubber D Section	poa

STANDARD AND HEAVY DUTY



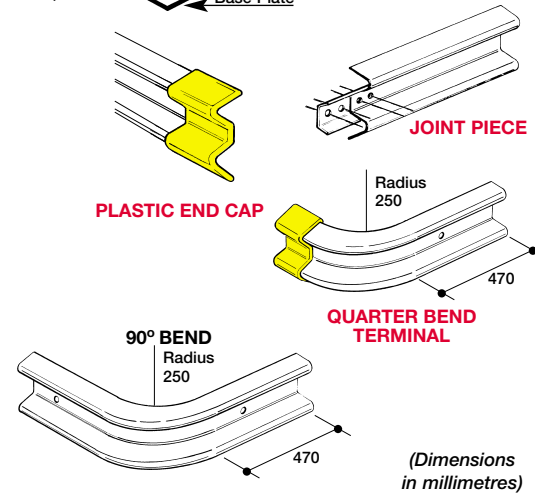
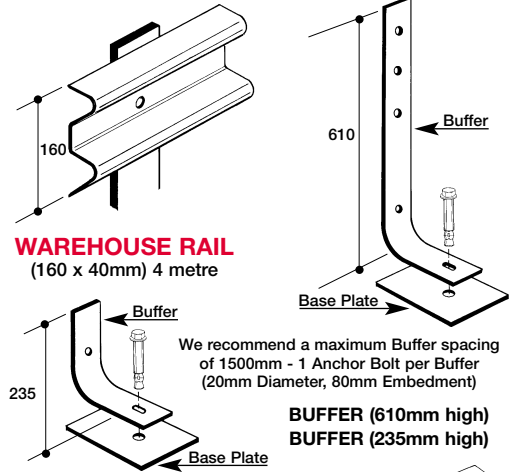
Please note when installing the Standard Duty System Buffer, uprights should be placed at a maximum of 1500mm centres.

Order ▼	Description	Price £
VA3003	Standard duty buffer 610mm	poa
VA3004	Standard duty buffer 235mm	poa
VA3005	Standard duty base plate	poa
VB3001	Standard duty 4m warehouse rail	poa
VB3003	Standard duty Joint piece	poa
VB3004	Standard duty plastic end cap	poa
VB3005	Standard duty 90° bend	poa
VB3006	Standard duty quarter bend terminal	poa
VA1001	Heavy duty upright buffer 610mm	poa
VA1005	Heavy duty base plate	poa
VB2001/1	Heavy duty 3.2m barrier rail	poa
VB2004	Heavy duty fish tail end	poa
VB2005	Heavy duty bull nose end	poa
VE1003	20 x 80mm fixing	poa
VE1006	Anchor Bolt Fixing - For Rubber D Section	poa

- ✔ **Unique Spring Steel Barrier System**
- ✔ **Designed to Absorb Shock Load**
- ✔ **Internal and External Application**
- ✔ **Galvanised Finish**
- ✔ **Minimal Maintenance**

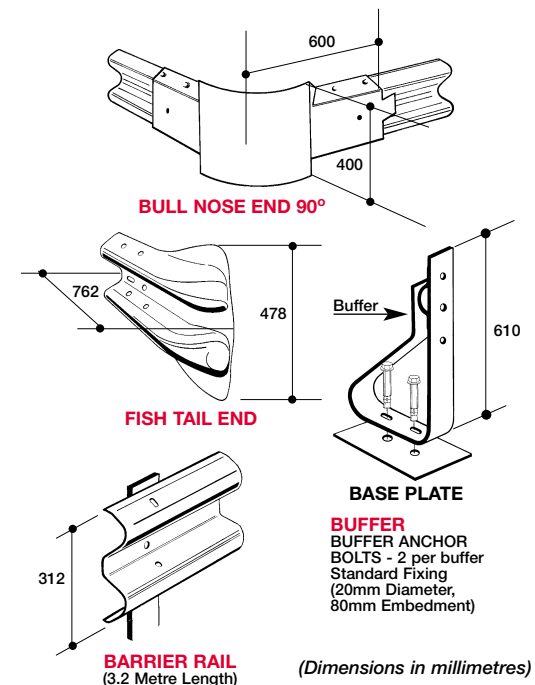
STANDARD DUTY

All Buffers and metal Barrier Rails are supplied with a Galvanised finish



HEAVY DUTY

All Buffers and metal Barrier Rails are supplied with a Galvanised finish



Please note when installing the Heavy Duty System Buffer, uprights should be placed at a maximum of 1600mm centres.

(Dimensions in millimetres)